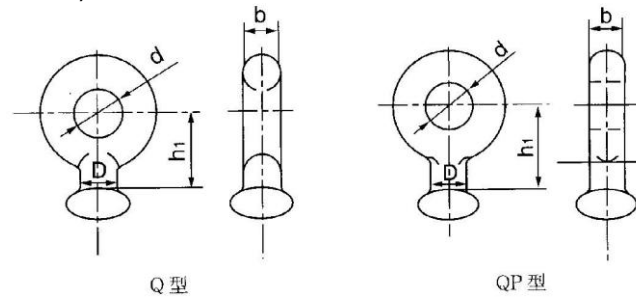


LINK FITTINGS

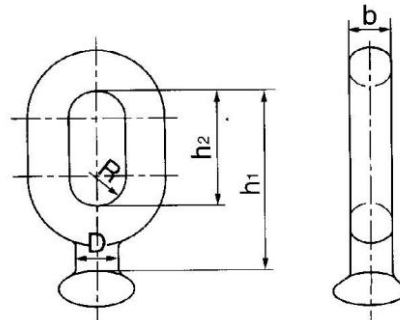
1. Ball Eye (Type Q & QP)



Cat No	Suitable Insulator	Ball IEC code	Dimensions(mm)				Rated Failure Load (KN)	Weight (Kg)
			A	B	C	D		
Q-7	XP-7	16mmA.B.	17	22	16	50	70	0.3
QP-7	XP-7	16mmA.B.	17	20	16	50	70	0.3
QP-10	XP-10	16mmA.B.	17	20	16	50	100	0.3
QP-12	XP-12	16mm	17	20	16	50	120	0.3
QP-16	XP-16	20mm	24	26	20	60	160	0.5
QP-21D	XP-21	20mm	21	29	20	70	210	1.0
QP-20	XP-20	24mm	25	30	24	80	200	1.0
QP-30	XP-30	24mm	25	39	30	80	300	1.1

Made of hot-dip galvanized drop forged steel .

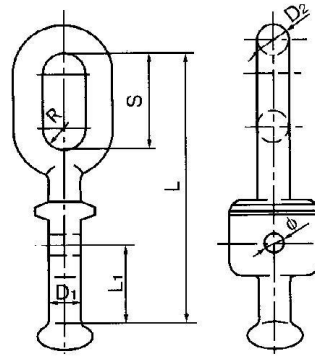
2. Ball Eye (Type QH)



Cat No	Suitable Insulator	Dimensions(mm)					Rated Failure Load (KN)	Weight (Kg)
		h1	h2	R	D	b		
QH-7	XP-7	114	57	11	17	16	70	0.6
QH-12	XP-12	120	63	11	17	16	120	0.7
QH-16	XP-16	130	70	13	26	20	160	1.0
QH-7A	XP-7	90	52	11	17	16	70	0.5

Made of hot-dip galvanized drop forged steel .

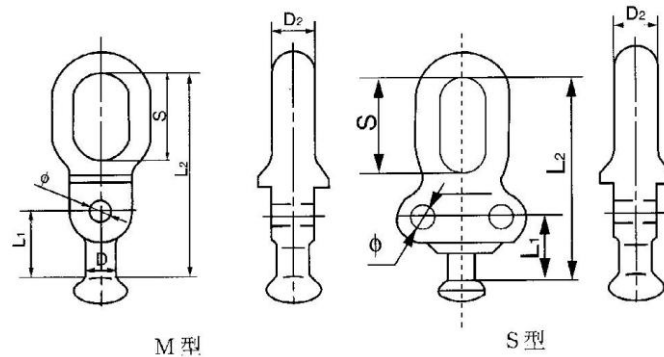
3. Ball Eye (Perpendicular type, horn holder type)



Cat No	Suitable Insulator	Dimensions(mm)							Ball IEC code	Rated Failure Load (KN)	Weight (Kg)
		L	L1	D1	D2	S	R	ϕ			
Q-7N	XP-7	165	48	16	16	56	12.5	14	16mmA.B	70	1.2
Q-12N	XP-12	165	48	16	16	56	12.5	14	16mmA.B	120	1.5
Q-16N	XP-16	176	48	20	20	80	15	14	20mm	160	1.8

Made of hot-dip galvanized drop forged steel .

4. Ball Eye (Parallel type, horn holder type)



Cat No	Suitable Insulator	Dimensions(mm)						Ball IEC code	Rated Failure Load (KN)	Weight (Kg)
		L1	L2	S	D	D2	ϕ			
Q-7M	XP-7	42	142	60	16	16	14	16mmA.B	70	1.0
Q-12M	XP-12	48	145	60	18	18	14	16mmA.B	120	1.3
Q-16M	XP-16	48	160	80	20	20	14	20mm	160	1.5
Q-12S	XP-12	48	134	60	18	18	14	16mmA.B	120	1.3

Made of hot-dip galvanized drop forged steel .

5. Ball Eye (Horn holder type)

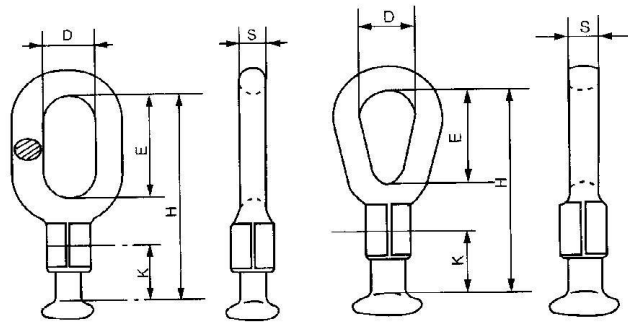


Fig 1

Fig 2

Cat No	Fig. No.	Dimensions(mm)					Ball IEC code	Rated Failure Load (KN)	Weight (Kg)
		D	E	H	K	S			
Q-7CH	1	30	50	120	39	16	16mmA.B	70	0.50
Q-12CH	1	34	70	143	39	18	16mmA.B	120	0.75
Q-16CH	2	34	70	146	42	20	20mm	160	1.10
Q-21CH	2	34	70	146	42	20	20mm	210	1.10

Made of hot-dip galvanized drop forged steel .

6. Ball Eye (Horn holder type)

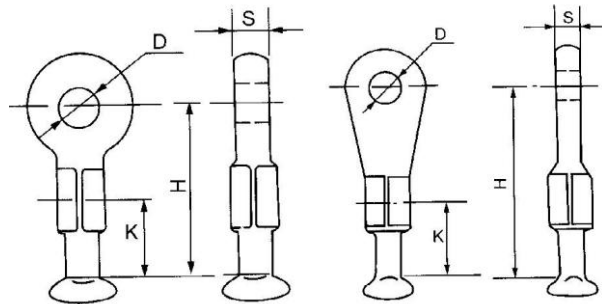


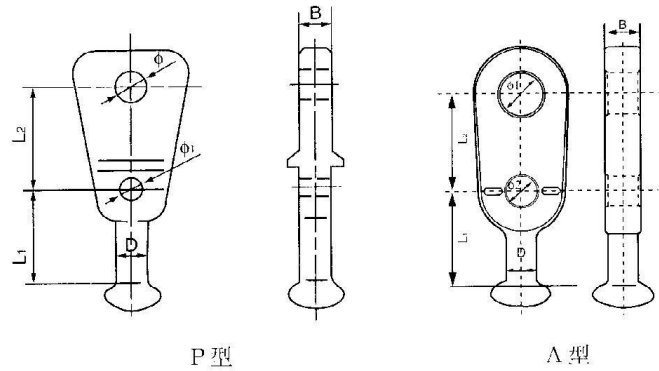
Fig 1

Fig 2

Cat No	Fig. No.	Dimensions(mm)				Ball IEC code	Rated Failure Load (KN)	Weight (Kg)
		D	H	K	K			
Q-7PH	1	18	82	39	16	16mmA.B	70	0.6
Q-10PH	1	20	82	39	16	16mmA.B	100	0.6
Q-12PH	1	22	87	39	16	16mmA.B	120	0.6
Q-16PH	2	26	146	42	20	20mm	160	0.9
Q-21PH	2	26	169	42	22	20mm	210	1.2

Made of hot-dip galvanized drop forged steel .

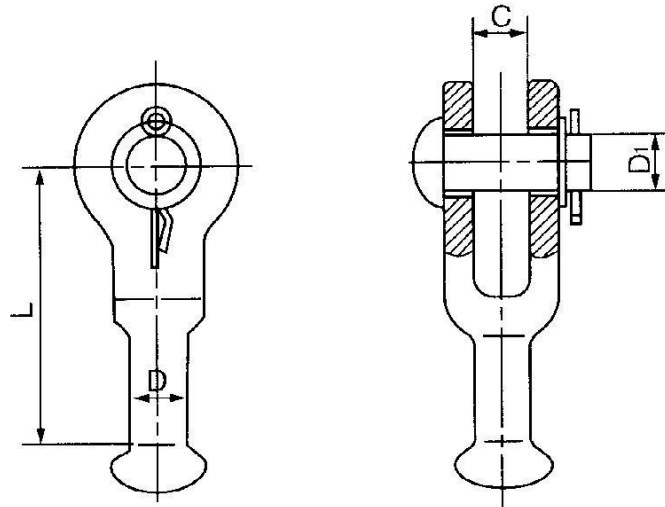
7. Ball Eye (Horn holder type)



Cat No	Suitable Insulator	Dimensions(mm)						Ball IEC code	Rated Failure Load (KN)	Weight (Kg)
		L1	L2	D	ϕ	ϕ_1	B			
Q-7P	XP-7	57	60	17	20	14	16	16mmA.B	70	0.8
Q-12P	XP-12	57	65	17	24	14	18	16mmA.B	120	0.85
Q-7A	XP-7	48	56	17	18	14	16	16mmA.B	70	0.5
Q-12A	XP-12	48	56	17	20.5	17.5	19	16mmA.B	133	0.65

Made of hot-dip galvanized drop forged steel .

8.U type Ball Eye



Cat No	Suitable Insulator	Dimensions(mm)				Ball IEC code	Rated Failure Load (KN)	Weight (Kg)
		C	D1	D	L			
Q-7U	XP-7	18	16	17	89	16mmA.B	70	0.9
Q-12U	XP-12	22	22	17	95	16mmA.B	120	1.0
Q-16U	XP-16	24	24	20	80	20mm	160	1.0

The body is made of hot-dip galvanized drop forged steel. Cotter-pin is made of stainless steel.

9. Ball Clevis

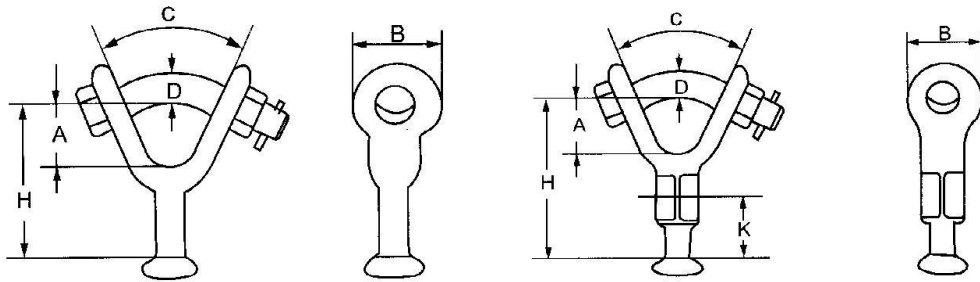


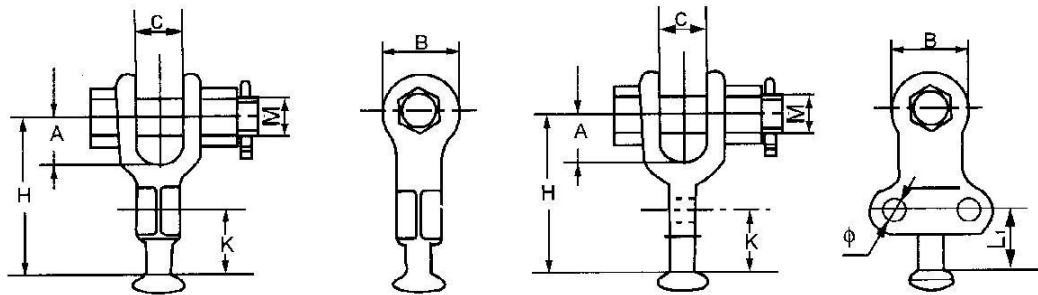
Fig 1

Fig 2

Cat No	Fig. No.	Dimensions(mm)						Ball IEC code	U.T.S (KN)	Weight (Kg)
		A	B	C	D	H	K			
QB-7Y	1	38	40	45°	16	75	-	16mmA.B	70	0.55
QB-10Y	1	40	42	45°	18	75	-	16mmA.B	100	0.78
QB-12Y	1	40	44	45°	18	82	-	16mmA.B	120	0.80
QB-7YH	2	38	40	45°	16	105	39	16mmA.B	70	0.72
QB-10YH	2	40	42	45°	18	112	42	16mmA.B	100	0.98
QB-12YH	2	40	44	45°	18	112	42	16mmA.B	120	1.20

The body is made of forged drop steel, Balls sizes are in accordance with IEC,GB or ANSI standards.

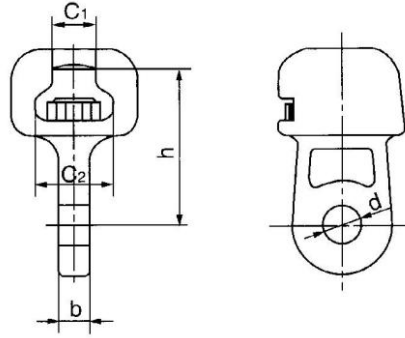
10. Ball Clevis (Horn holder type)



Cat No	Dimensions(mm)						Ball IEC code	U.T.S (KN)	Weight (Kg)
	A	B	C	M	H	K			
Q-7YH	38	40	18	16	107	39	16mmA.B	70	1.55
Q-10YH	40	42	22	18	112	39	16mmA.B	100	1.78
Q-12YH	40	44	22	18	112	39	16mmA.B	120	1.80
Q-7UH	38	44	18	16	110	39	16mm	70	1.25

The body is made of forged drop steel, Balls sizes are in accordance with IEC,GB or ANSI standards.

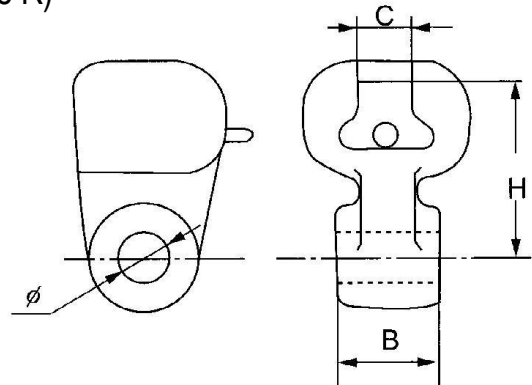
11.Socket Tongue



Cat No	Suitable Insulator	Dimensions(mm)					Socket IEC code	Rated Failure Load (KN)	Weight (Kg)
		C1	C2	h	d	b			
W-7A	XP-7 XP-4.5	19.2	34.5	70	20	16	16mmA.B	70	0.8
W-7B	XP-7 X-4.5	19.2	34.5	115	20	16	16mmA.B	70	0.9
W1-10	XP-10	19.2	34.5	85	20	18	16mmA.B	100	1.0
W1-12	XP-12	19.2	34.5	85	20	20	16mmA.B	120	1.2

The body is made of malleable iron, hot-dip galvanized. Security clip is made of bronze or stainless steel.

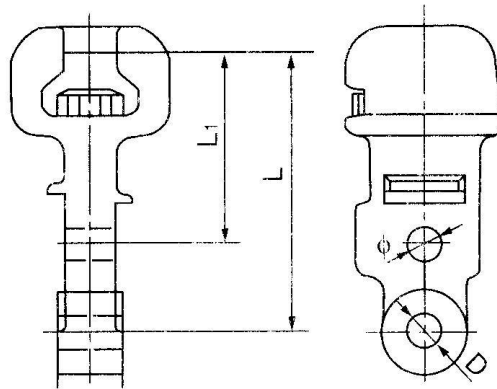
12. Socket Eye (Type R)



Cat No	Dimensions(mm)				Socket IEC code	Rated Failure Load (KN)	Weight (Kg)
	B	C	H	φ			
W-7AG	24	19.2	70	20	16mmB	70	1
W-7BG	26	19.2	115	20	16mmB	70	1.1
W-10AG	34	19.2	85	20	16mmB	100	1.2
W-12AG	38	19.2	65	20	16mmA	120	1.3
W-12BG	54	19.2	115	20	16mmA	120	1.5
W-12CG	61	19.2	65	20	16mmA	120	1.5

The body is made of malleable iron, hot-dip galvanized. Security clip is made of bronze or stainless steel.

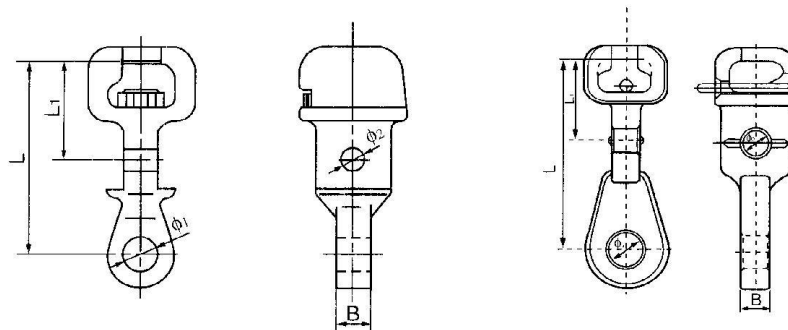
13.Socket Eye (Horn holder type)



Cat No	Suitable Insulator	Dimensions(mm)					Socket IEC code	Rated Failure Load (KN)	Weight (Kg)
		L	L1	B	D	Φ			
W1-7K	XP-7 XP-4.5	120	70	20	18	14	16mm	70	1.0
W1-12K	XP-12	120	70	22	24	14	16mm	120	1.3

W1-7K socket eye is made of malleable iron, W1-12K socket eye is made of casting steel, the security clips are made of bronze or stainless steel. All ferrous parts are hot-dip galvanized

14. Socket Eye (Horn holder type)



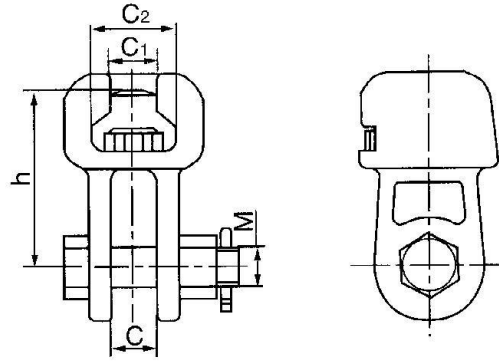
R 型

A 型

Cat No	Suitable Insulator	Dimensions(mm)					Socket IEC code	Rated Failure Load (KN)	Weight (Kg)
		L	L1	Φ1	Φ2	B			
W1-7R	XP-7 XP-4.5	120	70	18	14	20	16mm	70	1.0
W1-12R	XP-12	120	70	22	14	22	16mm	120	1.3
W1-7A	XP-7	126	55	18	14	16	16mm	70	1.48
W1-12A	XP-12	126	55	21.5	17.5	19	16mm	120	1.48

W1-7R/A socket eye is made of malleable iron, W1-12R/A socket eye is made of casting steel, the security clips are made of bronze or stainless steel. All ferrous parts are hot-dip galvanized.

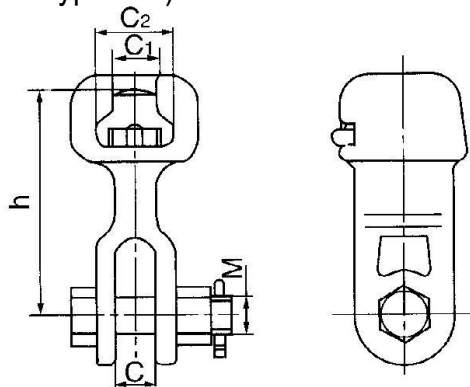
15. Socket Clevis (Type WS)



Cat No	Suitable Insulator	Dimensions(mm)					Socket IEC code	Rated Failure Load (KN)	Weight (Kg)
		C	C1	C2	M	h			
WS-7	XP-7	18	19.2	34.5	16	70	16mm	70	1.0
WS-10	XP-10	20	19.2	34.5	18	85	16mm	100	1.2
WS-16	XP-16	26	23.0	42.5	24	95	20mm	160	2.6
WS-20	XP-20	30	27.5	51.0	27	100	24mm	200	4.5
W2-21D	XP-21	30	23.0	42.5	27	100	20mm	210	4.3
WS-30	XP-30	36	27.5	51.0	36	110	24mm	300	5.7

Type WS-7 and WS-10 socket clevis are made of malleable iron, other type of socket clevis are made of casting steel, the security clips are made of bronze or stainless steel., cotter-pins are made of stainless steel, other parts are steel. All ferrous parts are hot-dip galvanized

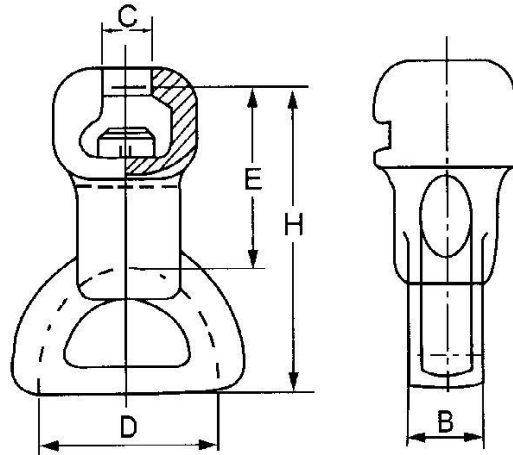
16.Socket Clevis (Elongated type WS)



Cat No	Dimensions(mm)					Socket IEC code	Rated Failure Load (KN)	Weight (Kg)
	C	H	M	C1	C2			
WS-7H	20	163	16	19.2	34.5	16mm	70	1.50
WS-12H	20	163	18	19.2	34.5	16mm	120	2.1
WS-16H	22	165	22	23.0	42.5	20mm	160	2.8
WS-20H	22	188	22	23.0	42.5	24mm	200	4.7

The security clips are made of bronze or stainless steel. The cotter -pins are made of stainless steel, other parts are hot-dip galvanized steel.

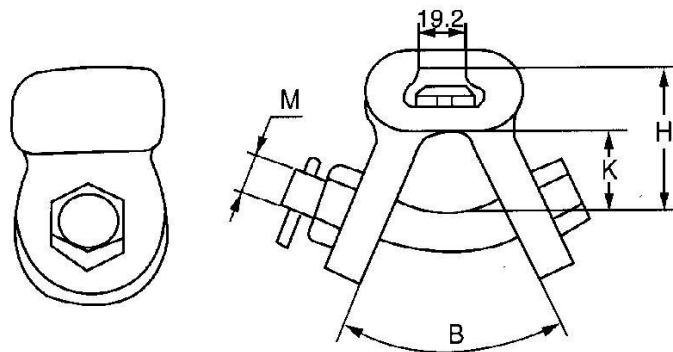
17. Socket Thimble



Cat No	Dimensions(mm)					Couple code IEC120	Weight (Kg)
	B	C	D	E	H		
WX-7A	28	19.2	50	65	110	16mm	1.30
WX-7B	30	19.2	70	65	110	16mm	1.35

The body is made of malleable iron hot-dip galvanized W-clip pin is made of bronze or stainless steel.

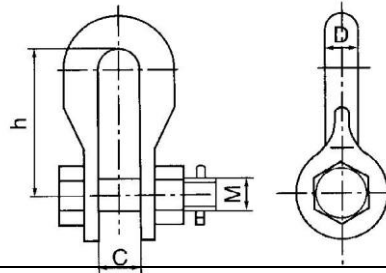
18.Socket Clevis (Y-type)



Cat No	Dimensions(mm)				Couple code IEC120	U.T.S (KN)	Weight (Kg)
	B	H	M	K			
WS-7Y	45°	73	20	38	16mm	70	1.51
WS-10Y	45°	86	22	51	16mm	100	2.60
WS-12Y	45°	86	24	51	16mm	120	2.60

The body is made of malleable iron or steel. Hot-dip galvanized, W-clip or R-split pin is made of stainless steel or bronze. All ferrous parts are hot-dip galvanized.

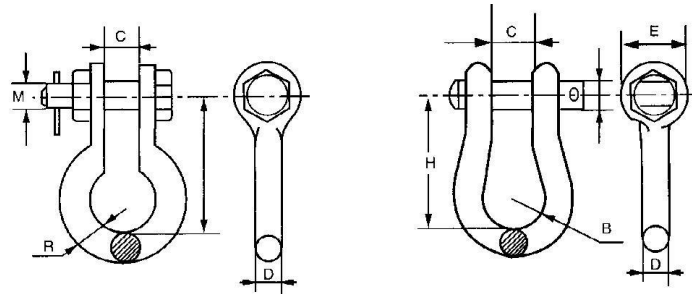
19. Anchor Shackle



Cat No	Dimensions(mm)				Rated Failure Load (KN)	Weight (Kg)
	C	M	D	h		
U-7	20	16	16	60	70	0.5
U-7B	20	16	16	80	70	0.6
U-10	22	18	18	70	100	0.6
U-10B	22	18	18	85	100	0.7
U-12	24	22	20	80	120	1.0
U-16	26	24	22	90	160	1.5
U-16T	28	24	22	90	160	1.5
U-20	30	27	24	100	200	2.3
U-20B	30	27	24	115	200	2.4
U-25	34	30	26	110	250	2.8
U-30	38	36	30	130	300	3.7
U-50	44	42	36	150	500	7.0

The cotter pin is made of stainless steel, other parts are made of hot-dip galvanized drop forged steel

20. Anchor Shackle



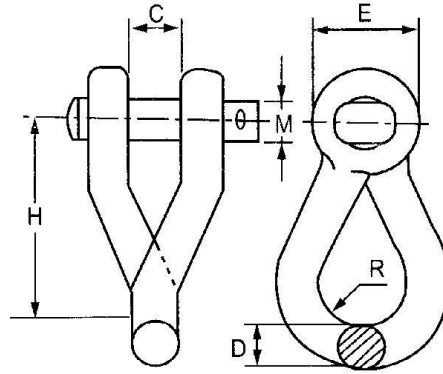
A 型 (Cat. No. ending with A)

R 型 (Cat. No. ending with R)

Cat No	Dimensions(mm)						U.T.S (KN)	Weight (Kg)
	C	D	E	H	M	R		
U-7A	19	16	38	76	16	11	70	0.65
U-12A	22	18	40	72	18	18	120	0.72
U-16A	26	20	44	89	20	19	160	0.98
U-22A	26	22	51	89	22	19	220	1.45
U-7R	20	16	70	16	16	19	70	0.5
U-12R	22	20	80	20	20	19	120	1.0

The cotter pin is made of stainless steel, other parts are made of hot-dip galvanized drop forged steel

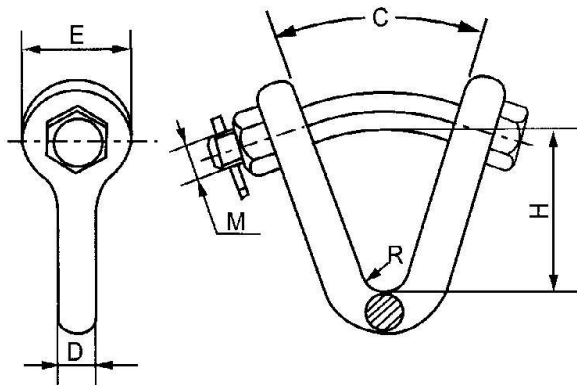
21. Twisted Shackle



Cat No	Dimensions(mm)						U.T.S (KN)	Weight (Kg)
	C	D	E	H	M	R		
UN-7	18	16	34	76	16	16	70	0.6
UN-10	18	18	38	76	16	16	100	0.7
UN-12	19	18	38	76	16	16	120	0.70
UN-16	22	20	44	102	20	19	160	1.05

The cotter pin is made of stainless steel, other parts are made of hot-dip galvanized drop forged steel

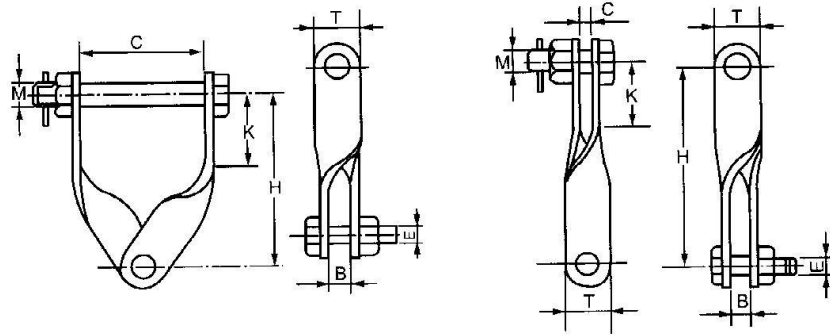
22. Vee Shackle



Cat No	Dimensions(mm)						U.T.S (KN)	Weight (Kg)
	C	D	E	H	M	R		
V-7	35°	16	38	70	18	10	70	0.80
V-10	35°	18	40	70	20	10	100	0.85
V-12	35°	24	44	90	22	13	120	0.98
V-16	35°	24	48	90	24	13	160	1.10
V-20	35°	24	54	100	27	19	200	1.45

The cotter pin is made of stainless steel, the other parts are made of hot-dip galvanized drop forged steel.

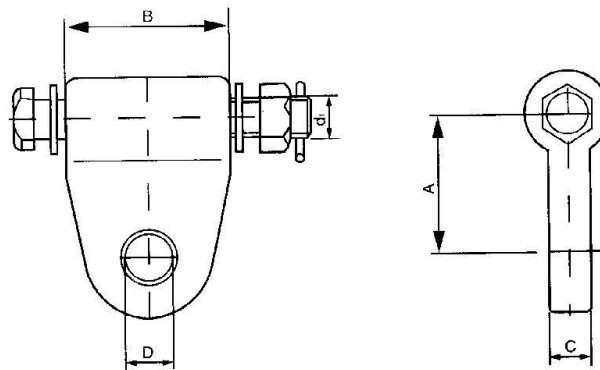
23. Twisted Strap



Cat No	Dimensions(mm)							U.T.S (KN)	Weight (Kg)
	B	C	M	E	H	K	T		
VB-7A	16	102	16	16	143	48	38	70	1.42
VB-7B	16	13	16	16	165	51	38	70	1.25
VB-12A	20	110	22	22	150	50	60	120	2.5
VB-12B	20	20	22	22	165	51	60	120	2.1

The cotter pin is made of stainless steel, other parts are made of hot-dip galvanized drop forged steel

24. Hinge to Tower



Cat No	Dimensions(mm)					Rated Failure Load (KN)	Weight (Kg)
	B	A	C	D	d1		
JLB-12A	55	75	22	21.5	20	120	0.92
JLB-12B	55	75	22	17.5	20	120	0.95
JLB-16	70	80	22	21.5	20	160	1.88
JLB-12C	70	85	16	17.5	20	120	1.30
JLB-12D	70	85	22	17.5	20	120	1.90
JLB-32A	90	80	22	23.5	24	320	2.30
JLB-32B	110	80	22	23.5	24	320	2.90
JLB-32C	110	75	22	28.5	27	320	3.16

The cotter pin is made of stainless steel, the other parts are made of hot-dip galvanized drop forged steel.

25. Clevis Eye

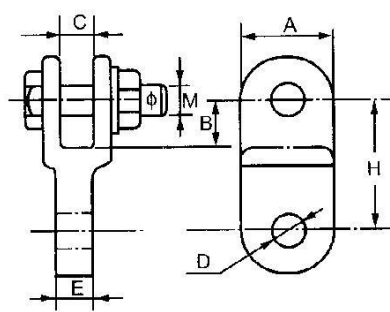


Fig 1

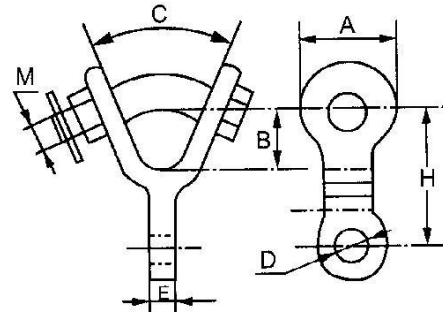
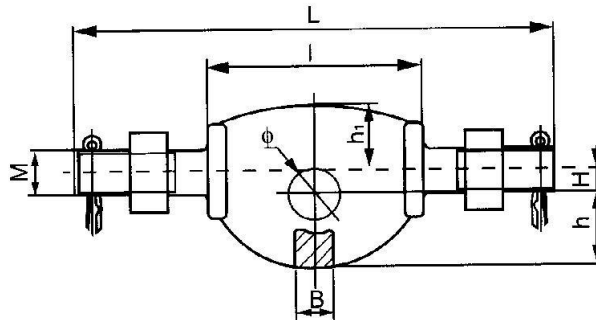


Fig 2

Cat No	Fig. No.	Dimensions(mm)							U.T.S (KN)	Weight (Kg)
		A	B	C	D	E	H	M		
PG-7	1	44	28	19	18	16	65	16	70	0.80
PG-10	1	44	30	22	22	20	70	18	100	0.98
PG-12	1	52	38	24	24	20	80	20	120	1.10
PG-16	1	60	54	26	26	24	90	22	160	0.70
PG-7Y	2	44	38	45°	18	16	80	20	70	0.89
PG-10Y	2	44	38	45°	22	18	90	22	100	0.98
PG-12Y	2	44	38	45°	24	20	92	24	120	1.31
PG-16Y	2	44	38	45°	26	24	106	24	160	1.40

The cotter pin is made of stainless steel, other parts are made of hot-dip galvanized drop forged steel

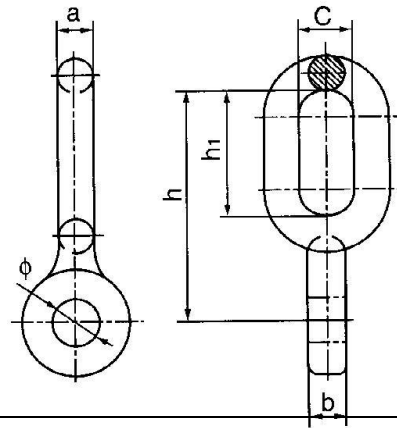
26. Twisted Strap



Cat No	Dimensions(mm)								U.T.S (KN)	Weight (Kg)
	L	I	Φ	M	H	B	h	h1		
GD-12S	250	112	24	22	12	16	40	35	120	1.7
GD-21S	250	112	26	24	12	20	40	35	210	2.1
GD-32S	258	112	33	30	12	28	40	36	320	3.6
GD-42S	278	130	39	36	12	32	45	36	420	4.2
GD-50S	278	130	39	36	12	32	48	50	500	4.6

The cotter pin is made of stainless steel, the other parts are made of hot-dip galvanized drop forged steel.

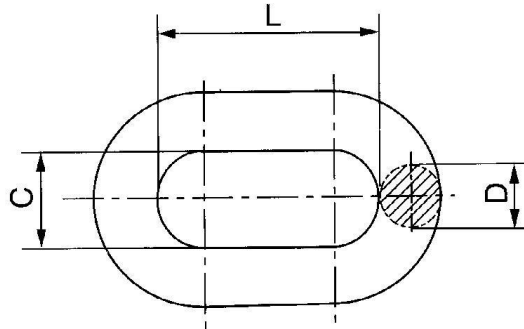
27. Eye Chain Link (90° shifted)



Cat No	Dimensions(mm)						Rated Failure Load (KN)	Weight (Kg)
	a	b	c	Φ	h1	h		
ZH-7	16	16	24	20	57	95	70	0.5
ZH-10	16	16	24	20	57	95	100	0.5

Made of hot-dip galvanized drop forged steel

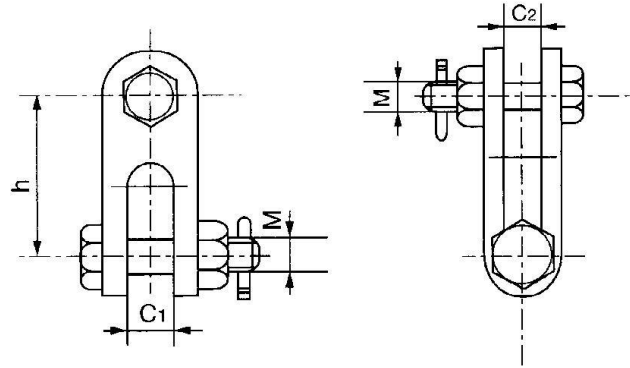
28. Chain Link (Forged type)



Cat No	Dimensions(mm)			Rated Failure Load (KN)	Weight (Kg)
	C	D	L		
PH-7.1	20	16	80	70	0.4
PH-10.1	22	18	100	100	0.6
PH-12.1	24	20	120	120	0.9
PH-16.1	26	22	140	160	1.5
PH-20.1	30	24	160	200	1.6
PH-25.1	34	26	160	250	2.0
PH-30.1	38	30	180	300	3.0

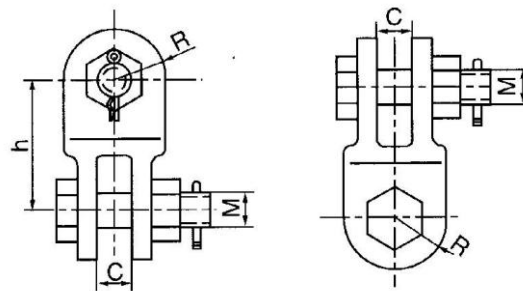
Made of drop forged steel, hot-dip galvanized.

29. Clevis (Type Z)



Cat No	Dimensions(mm)				Rated Failure Load (KN)	Weight (Kg)
	C1	C2	M	h		
Z-7	18	18	16	60	70	0.6
Z-7B	20	18	16	80	70	0.7
Z-10	20	20	18	70	100	0.8
Z-10B	20	20	18	80	100	0.9
Z-12	24	24	22	80	120	1.3
Z-12B	24	24	22	100	120	1.32
Z-16	26	26	24	90	160	2.5
Z-16B	26	26	24	100	160	2.55
Z-16B1	26	26	24	140	160	3.2
Z-16B2	26	26	24	170	160	3.8
Z-20	30	30	27	120	200	3.5
Z-25	34	34	30	110	250	3.8

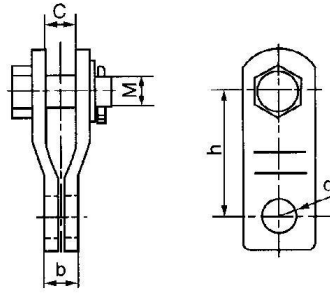
The cotter pin is made of stainless steel, the other parts are made of hot-dip galvanized steel.



Cat No	Dimensions(mm)				Rated Failure Load (KN)	Weight (Kg)
	C	R	M	h		
Z1-25	34	40	30	100	250	2.8
Z1-30	38	46	36	135	300	5.4
Z1-40	42	50	36	150	400	8.6
Z1-60	50	62	48	180	600	19.6

The cotter pin is made of stainless steel, the other parts are made of hot-dip galvanized steel.

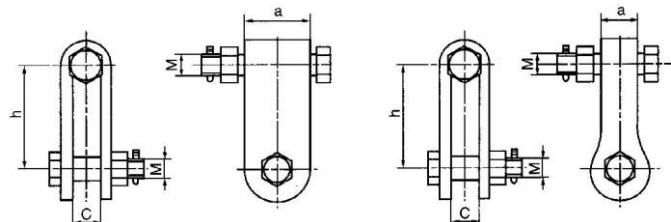
30.Clevis (Type PS)



Cat No	Dimensions(mm)					Rated Failure Load (KN)	Weight (Kg)
	C	b	M	d	h		
PS-7	18	16	16	20	90	70	0.6
PS-12	22	16	22	24	120	120	3.2
PS-20	26	20	27	29	140	200	3.5
PS-30	38	32	36	39	150	300	5.9

The cotter pin is made of stainless steel, the other parts are made of hot-dip galvanized steel.

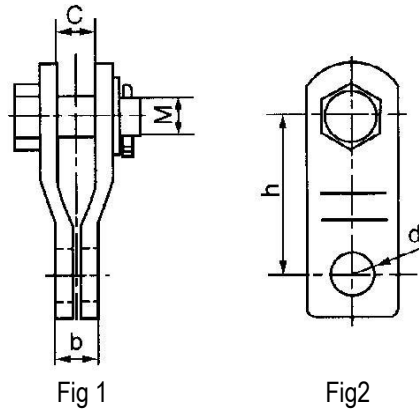
31.Clevis Hinge (Type UB)



Cat No	Dimensions(mm)				Fig. No.	Rated Failure Load (KN)	Weight (Kg)
	C	M	h	a			
UB-7	18	16	70	45	1	70	0.8
UB-10	20	18	80	45		100	1.1
UB-12	24	22	100	60		120	2.8
UB-16	26	24	100	60		160	2.9
UB-16G	24	20	90	48		160	2.9
UB-20	30	27	120	72		200	3.6
UB6-1	20	16	65	30	2	60	0.8
UB-7T	20	16	60	35		70	0.8
UB9-1	26	18	75	40		90	0.9
UB-10T	22	18	70	35		100	1.0
UB-12T	24	22	80	40		120	2.1
UB-16T	26	24	110	40		160	2.5
UB-20T	30	27	120	60		200	3.0
UB-25T	36	30	140	60		250	3.0
UB-30T	36	36	150	60		300	3.7

The cotter pin is made of stainless steel, the other parts are made of hot-dip galvanized steel.

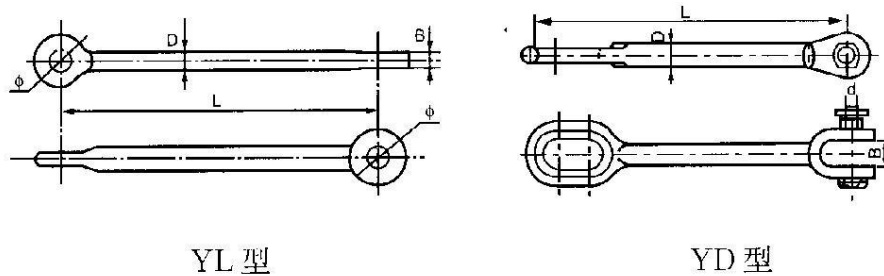
32.Extension Link



Cat No	Fig. No.	Dimensions(mm)				U.T.S (KN)	Weight (Kg)
		A	B	L	M		
YB-7A	1	40	18	200	16	70	1.50
YB-10A	1	40	18	200	18	100	1.62
YB-12A	1	50	20	200	22	120	2.00
YB-16A	1	50	20	550	24	160	4.60
YB-7B	2	50	18	300	16	70	1.58
YB-10B	2	40	18	400	18	100	2.63
YB-12B	2	50	20	450	22	120	2.80

The cotter pins are made of stainless steel or bronze, others are made of hot-dip galvanized steel

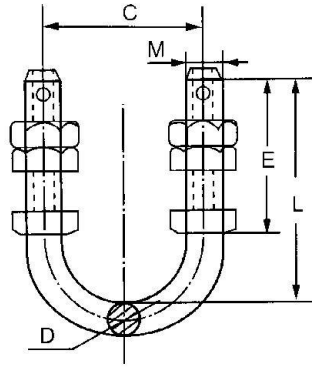
33.Extension Rod



Cat No	Dimensions(mm)				U.T.S (KN)	Weight (Kg)
	Φ	D	B	L		
YL-1040	18	20	16	400	100	0.9
YL-1243	22	24	18	430	120	1.3
YL-1640	30	26	20	400	160	2.75
YL-1040	16	20	18	250	100	0.9
YL-1243	18	20	20	250	120	1.3
YL-1640	22	26	26	430	160	2.75

Made of hot-dip galvanized drop forged steel.

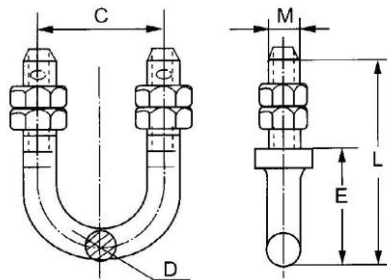
34. U-Bolt



Cat No	Dimensions(mm)					U.T.S (KN)	Weight (Kg)
	C	D	E	L	M		
U-1240	40	12	45	80	12	35	0.38
U-1440	40	14	60	90	14	35	0.42
U-1470	70	14	70	120	14	40	0.46
U-1670	70	16	65	130	16	50	0.66
U-1870	70	18	80	130	18	60	0.86
U-1880	80	18	60	130	18	60	0.88
U-1890	90	18	60	140	18	60	0.90
U-2070	70	20	90	130	20	70	1.20
U-2080	80	20	70	140	20	70	1.70
U-2090	90	20	90	150	20	70	1.28
U-2280	80	22	90	150	22	100	1.0
U-2290	90	22	100	160	22	100	1.34

The cotter pin is made of stainless steel, other parts are made of hot-dip galvanized steel

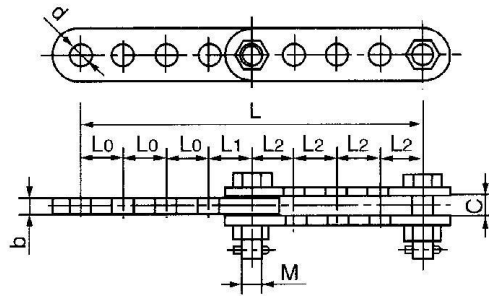
35. U-Bolt Enhanced



Cat No	Dimensions(mm)					U.T.S (KN)	Weight (Kg)
	C	D	E	L	M		
UJ-1880	80	18	39	130	18	60	0.88
UJ-2080	80	20	43	140	20	70	1.08
UJ-2280	80	22	45	150	22	100	1.28

The cotter pin is made of stainless steel or bronze, other parts are made of hot-dip galvanized steel

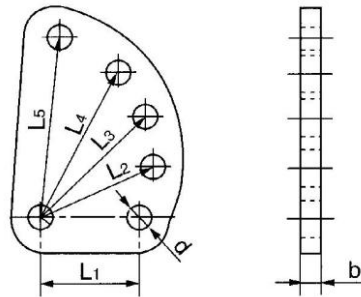
36. Adjusting Plate (Type PT)



Cat No	Dimensions(mm)								Rated Failure Load (KN)	Weight (Kg)
	L0	L1	L2	M	d	b	c	L		
PT-7	45	30	45	16	18	16	18	225-345	70	2.18
PT-10	50	40	50	18	20	16	20	225-390	100	3.12
PT-12	60	45	60	22	24	16	34	300-465	120	5.27
PT-16	65	50	60	24	26	18	26	325-505	160	7.03
PT-20	70	60	70	27	29	24	30	350-550	200	10.05
PT-30	80	70	80	36	39	32	38	400-630	300	14.0
PT-50	160	80	100	42	45	38	40	470-1280	500	24.6
PT-60	180	90	100	48	51	42	44	820-1390	600	31.6

Made of hot-dip galvanized steel.

37. Sag Adjuster Plate (Type DB)



Cat No	Dimensions(mm)							Rated Failure Load (KN)	Weight (Kg)
	d	b	L1	L2	L3	L4	L5		
DB-7	18	16	70	95	120	145	170	70	1.7
DB-10	20	16	80	110	140	170	200	100	2.7
DB-12	24	16	100	135	170	205	240	120	4.0
DB-16	26	18	110	125	140	155	170	160	4.1
DB-20	30	26	120	135	150	165	180	200	7.4
DB-30	39	32	120	140	160	180	200	300	12.5
DB-50	45	38	140	185	230	275	320	500	29.0
DB-60	51	42	135	160	185	210	235	600	31.6

Made of hot-dip galvanized steel.

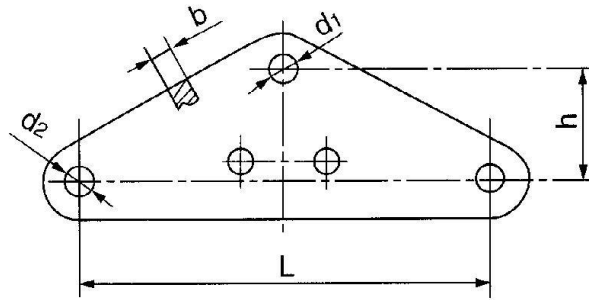
ADD: Qiligang Industrial Zone, Yueqing City, Zhengjiang Province, China

TEL: +8617055776665

MAIL: cavanna@cavanna.cn info@cavanna.cn

WEB: www.cavanna.cn

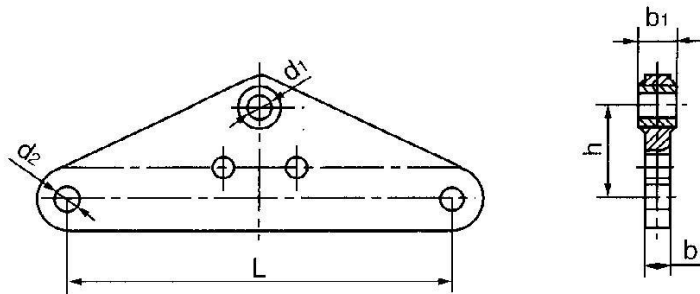
38. Yoke Plate (Type L)



Cat No	Dimensions(mm)					Rated Failure Load (KN)	Weight (Kg)
	b	h	d1	d2	L		
L-1040	16	70	20	18	400	100	4.5
L-1240	16	70	24	18	400	120	4.7
L-1640	18	100	26	20	400	160	5.9

Made of hot-dip galvanized steel.

39. Yoke Plate (Type L)



Cat No	Dimensions(mm)						Rated Failure Load (KN)	Weight (Kg)
	b1	b	h	d1	d2	L		
L-2040	26	16	100	30	20	400	200	7.0
L-2540	30	16	110	33	24	400	250	9.0
L-25457	30	16	110	33	24	457	250	10.0
L-3040	32	18	110	39	26	400	300	10.0
L-30457	32	18	110	39	26	457	300	11.2
L-5045	38	32	200	45	39	450	500	25.0
L-50457	38	32	200	45	39	457	500	26.0
L-6045	42	32	200	51	39	450	600	28.0

Made of hot-dip galvanized steel.

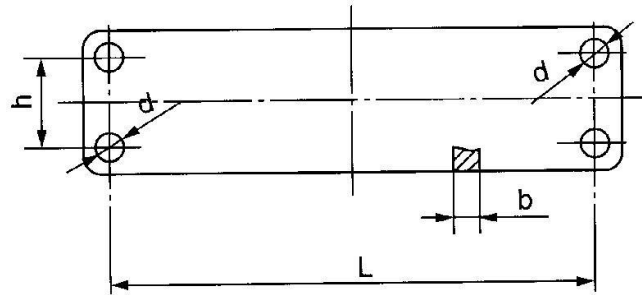
ADD: Qiligang Industrial Zone, Yueqing City, Zhengjiang Province, China

TEL: +8617055776665

MAIL: cavanna@cavanna.cn info@cavanna.cn

WEB: www.cavanna.cn

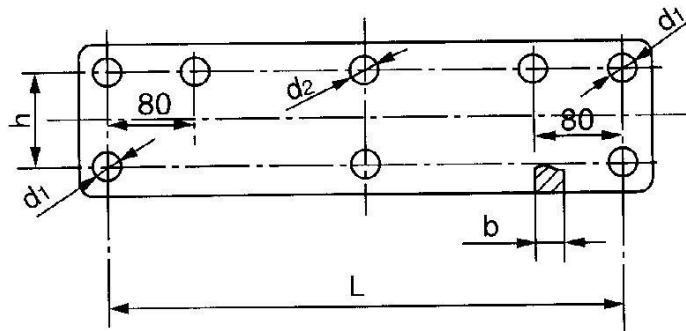
40. Yoke Plate (Type LF)



Cat No	Dimensions(mm)				Rated Failure Load (KN)	Weight (Kg)
	b	h	d	L		
LF-2040	16	70	20	400	200	5.5
LF-2540	16	110	24	400	250	9.2
LF-3040	18	120	26	400	300	11.2
LF-3045	18	100	26	450	300	12.0
LF-3050	18	140	26	500	300	16.5

Made of hot-dip galvanized steel.

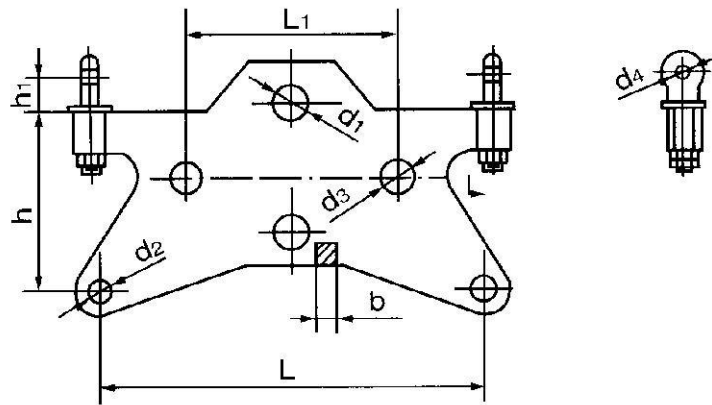
41. Yoke Plate (Type LJ)



Cat No	Dimensions(mm)					Rated Failure Load (KN)	Weight (Kg)
	b	h	d1	d2	L		
LJ-1040	16	70	18	20	400	100	6.5
LJ-1240	16	70	18	24	400	120	7.0
LJ-1640	18	100	20	26	400	160	9.5

Made of hot-dip galvanized steel.

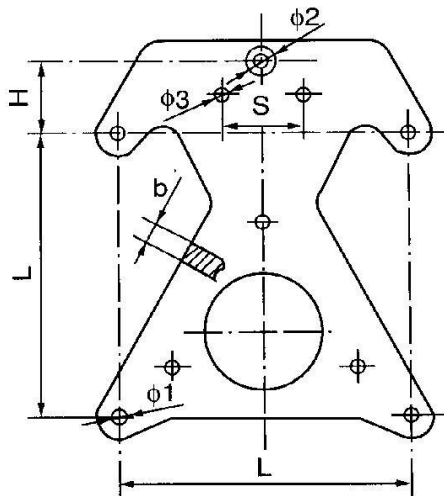
42. Yoke Plate (Type LK)



Catalog No.	Dimensions (mm)									Rated Failure Load (KN)	Weight (Kg)
	b	h	h ₁	L	L ₁	d ₁	d ₂	d ₃	d ₄		
LK-0745	18	225	40	450	240	18	18	26	18	70	15.5
LK-1045	16	230	40	450	240	20	18	26	18	100	16.0
LK-1645	18	230	40	450	240	26	18	26	18	160	17.0

Made of hot-dip galvanized steel.

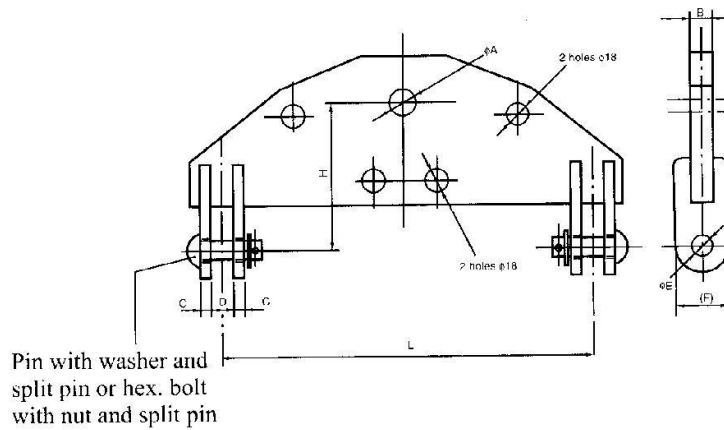
43. Yoke Plate (Type LX)



Catalog No.	Dimensions (mm)							Rated Failure Load (KN)	Weight (Kg)
	L	H	φ ₁	φ ₂	φ ₃	b	s		
LX-1645	450	95	20	26	14	18	80	160	26.0
LX-1645A	450	95	20	26	14	18	60	160	26.0
LX-2045A	450	95	20	33	18	18	80	250	29.0

Made of hot-dip galvanized steel.

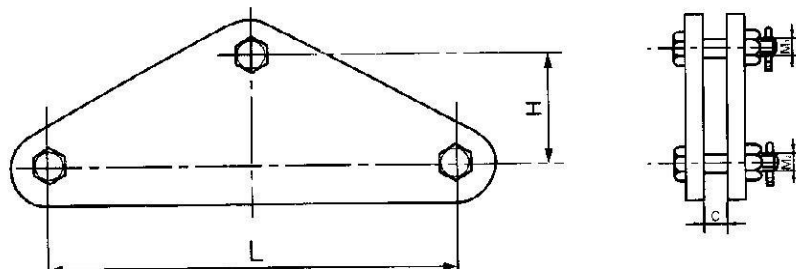
44. Yoke Plate (Type LN)



Catalog No.	Dimensions (mm)								Rated Failure Load (KN)	Weight (Kg)
	φA	B	C	D	φE	F	L	H		
LN-1230	24	16	8	24	24	60	300	140	120	6.6
LN-1233	24	16	8	24	24	60	330	140	120	7.3
LN-2030	30	26	12	24	24	72	300	155	190	11.8
LN-2033	30	26	12	30	30	72	330	155	190	13.0
LN-2040	30	26	12	30	30	72	400	155	190	15.7

Made of hot-dip galvanized steel.

45. Double Yoke Plates



Catalog No.	Dimensions (mm)					Rated Failure Load (KN)	Weight (Kg)
	L	H	C	M ₁	M ₂		
L-1240S	400	180	18	20	16	133	6.0
L-1640S	400	100	22	24	16	160	7.3
L-2040S	400	110	26	27	18	200	8.9
L-12457S	457	80	18	20	16	133	6.4
L-16457S	457	100	22	24	16	160	7.6
L-20457S	457	110	26	27	18	200	9.4

Made of hot-dip galvanized steel.

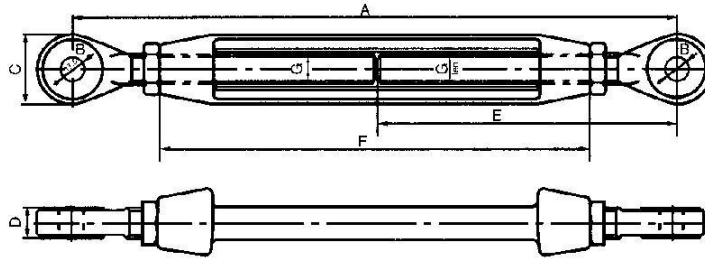
46. Turnbuckle (Type LH2)

ADD: Qiligang Industrial Zone, Yueqing City, Zhengjiang Province, China

TEL: +8617055776665

MAIL: cavanna@cavanna.cn info@cavanna.cn

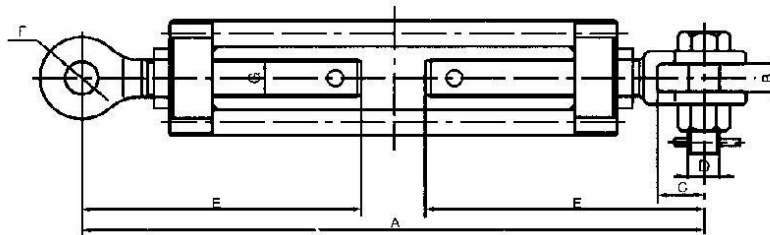
WEB: www.cavanna.cn



Catalog No.	Dimensions (mm)							Rated Failure Load (KN)	Weight (Kg)
	A	B	C	D	E	F	G		
LH2-7B	400~600	17.5	42	16	197	260	20	70	2.5
LH2-7BU	400~600	17.5	42	16	197	260	20	70	2.5
LH2-7U	400~600	17.5	42	16	197	260	20	70	2.5
LH2-12B	440~430	21.5	46	18	215	290	24	120	3.6
LH2-12BU	440~630	21.5	46	18	215	290	24	120	3.6
LH2-12U	440~630	21.5	46	18	215	290	24	120	3.6
LH2-16B	590~890	25.5	54	20	290	380	27	160	6.9
LH2-16BU	590~890	25.5	54	20	290	380	27	160	6.9
LH2-16U	590~890	25.5	54	20	290	380	27	160	6.9

Made of hot-dip galvanized steel.

47. Turnbuckle (Type LH)



Catalog No.	Dimensions (mm)							Rated Failure Load (KN)	Weight (Kg)
	A	B	C	D	E	F	G		
LH-7BU	350~500	20	32	16	170	18	20	70	2.1
LH-12BU	400~550	24	46	20	195	22	24	120	2.8
LH-16BU	500~650	30	54	24	245	26	27	160	6.5

Made of hot-dip galvanized steel.