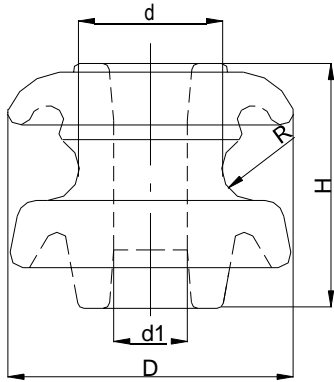
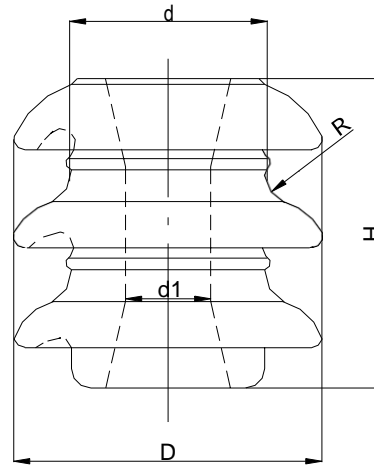


SHACKLE INSULATOR

(BS Standard Type)



ED-2(B)
ED-2(B)1



ED-2(C)

Type		ED-2(C)	ED-2(B)	ED-(B)1
Dimensions(mm)	H	80	76	76
	D	80	89	89
	d	50	48	48
	d1	22	21	17.5
	R	6	10	10
Transverse Strength (KN)		13.2	12.7	12.7
Power Frequency Flashover Voltage	Dry (KV)	25	25	25
	Wet (KV)	12	12	12
Net Weight, Each, Approx (kg)		0.5	0.5	0.5
Number in Standard Package		60	60	60
Colour		Brown, Light Gray or to Drawings		